



Flygt Compit pump stations

THE COMPLETE PUMP STATION FOR PRESSURE SEWAGE SYSTEMS

The pump station for single or multi-family housing

For more than a quarter of a century, Xylem has designed, installed and maintained pressure sewage systems around the world. We can help you with yours.

One of our solutions is the Flygt Compit pump station. This prefabricated complete pump station enables you to provide a single-family residence, an apartment building or an entire community with a reliable, trouble-free wastewater or groundwater transport system. Best of all, you can choose the pumps, accessories and control equipment to suit your specific requirements.

Quick installation

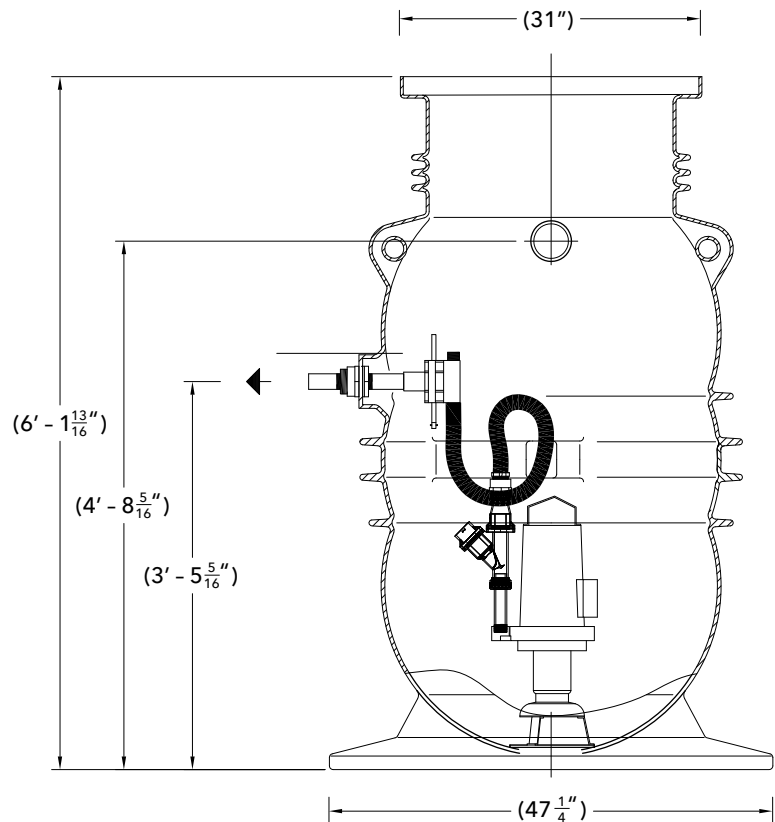
Complete upon delivery, the Flygt Compit pump station is ready for installation and immediate connection. Housed in rotomolded polyethylene, this easy-to-handle integrated system weighs 165 lbs. excluding the pump.

Flexible design

A convenient extension shaft makes it easy to install the Flygt Compit pump station at depths between 74" to 118". Simply cut the shaft to the required length.

Reliable operation

The bowl-shaped bottom and smooth inner surface of the pump station mean that it is self-cleaning.



Flygt Compit - Features

- Convenient discharge connection for easy pump installation
- Flexible hose allows for easy placement of pump
- Convenient knife gate valve with quick pump disconnect makes service simple
- Check valve and shut-off valve
- Covers available for different load classes A & B or a lockable polyethylene cover.
- Extension shaft in polyethylene

Options

- Insulation kit for the upper shaft



Non-stop performance with non-clogging pumps and smart control

Whether transporting wastewater, greywater or groundwater, you can equip your Flygt Compit pump station with submersible Flygt pumps and accessories. Then add a Flygt monitoring and control system to ensure your Compit pump stations run continuously in real-time.

Reliable wastewater grinder pumps

The Compit is compatible with the Flygt progressing-cavity pump. Which give you high head capability for a variety of low pressure sewer systems. It is powered by a small, low-amperage motor that runs from any standard domestic or commercial power supply*. Wear-resistant components grind solids into small particles that easily pass through 1.25" pipes. Intermittent starts and high temperatures pose no problems; Flygt pumps handle up to 30 starts per hour and wastewater temperatures up to 104°F.

Complete control

Select Flygt monitoring and control equipment to help you cut operating and maintenance costs and boost energy savings. Take our robust FGC controllers, for instance. Comprehensive functionality gives you a solid overview of system status and immediate access to critical data from sensors.

For use in most any regulatory environment, FGC controllers work just as well with level regulators as well as they do with pneumatic and pressure sensors, giving you total system control.

* The pump is available in both single and three phase versions.



The advantage of pressure sewage systems



Connecting one or more pump stations to the municipal sewage network can pose distinct challenges depending on the lay of the land. Large pipes of conventional gravity systems need to be laid on a grade. Smaller pipes used for pressure sewage systems don't. This drastically cuts costs associated with excavation and construction of gravity-flow pipelines compared to pressure sewer flow pipe lines.

Xylem |'zīləm|

- 1) The tissue in plants that brings water upward from the roots;
- 2) a leading global water technology company.

We're 12,000 people unified in a common purpose: creating innovative solutions to meet our world's water needs. Developing new technologies that will improve the way water is used, conserved, and re-used in the future is central to our work. We move, treat, analyze, and return water to the environment, and we help people use water efficiently, in their homes, buildings, factories and farms. In more than 150 countries, we have strong, long-standing relationships with customers who know us for our powerful combination of leading product brands and applications expertise, backed by a legacy of innovation.

For more information on how Xylem can help you, go to www.xyleminc.com



Xylem, Inc.
14125 South Bridge Circle
Charlotte, NC 28273
Tel 704.409.9700
Fax 704.295.9080
www.xyleminc.com

Flygt is a trademark of Xylem Inc. or one of its subsidiaries.
© 2013 Xylem, Inc.